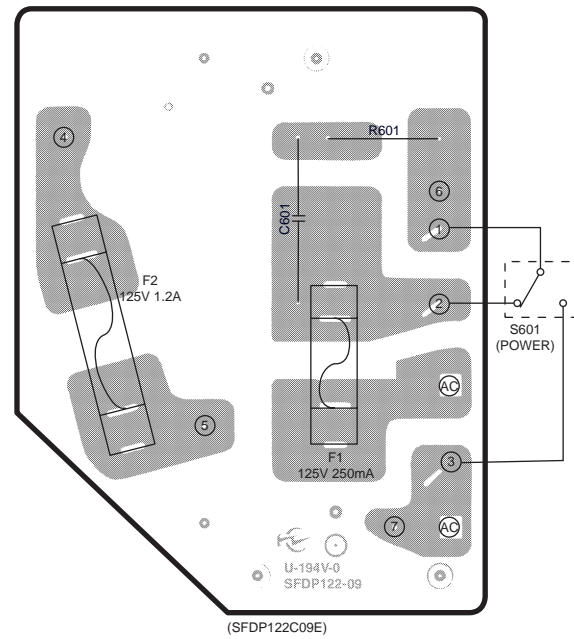
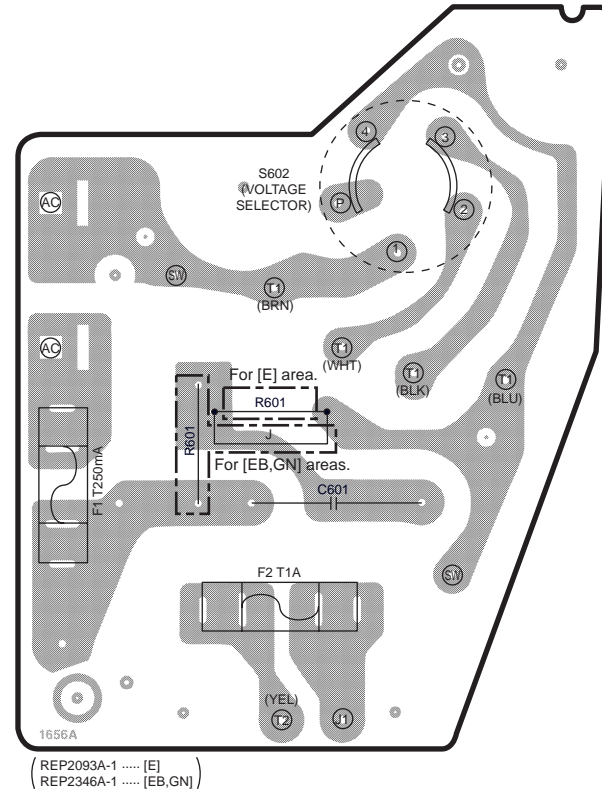


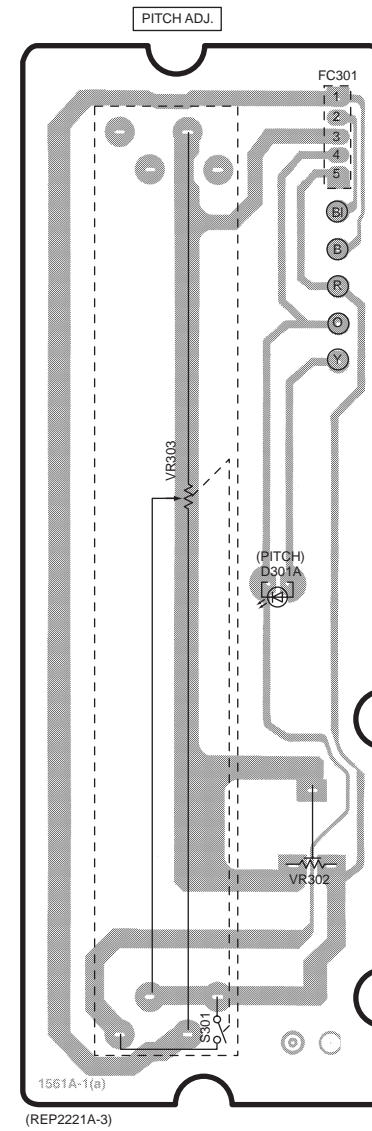
B POWER SUPPLY P.C.B.
For [PP] area.



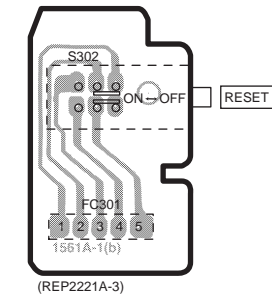
B POWER SUPPLY P.C.B.
For [E,EB,GN] areas.



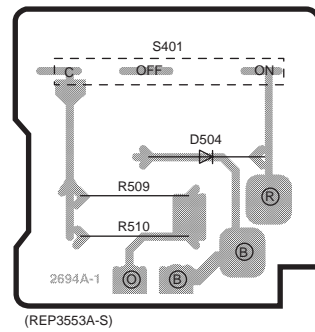
F PITCH CONTROL P.C.B.



H PITCH RESET SWITCH P.C.B.



G STYLUS ILLUMINATOR SWITCH P.C.B.



I OUTPUT P.C.B.

