

For [PP] area.

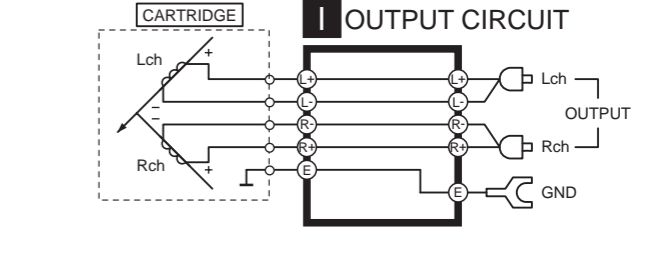
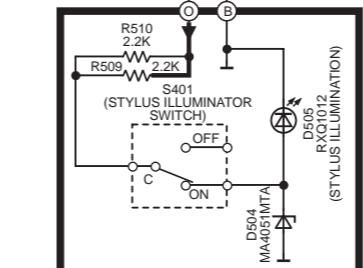
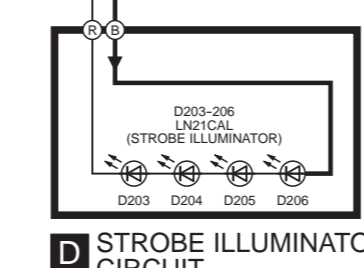
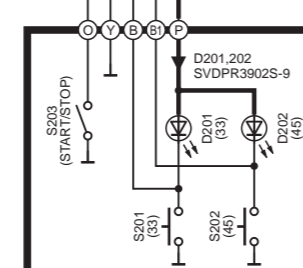
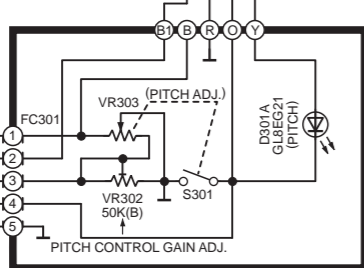
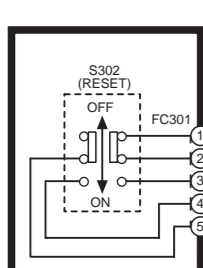
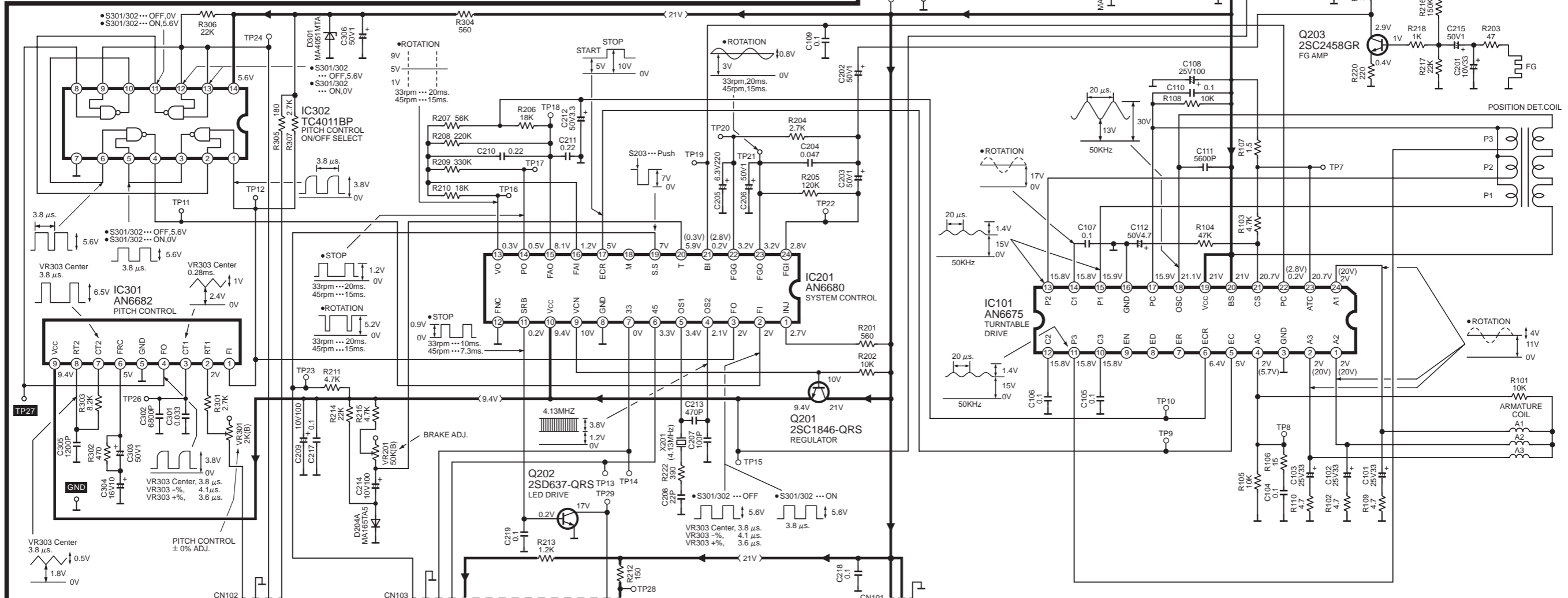
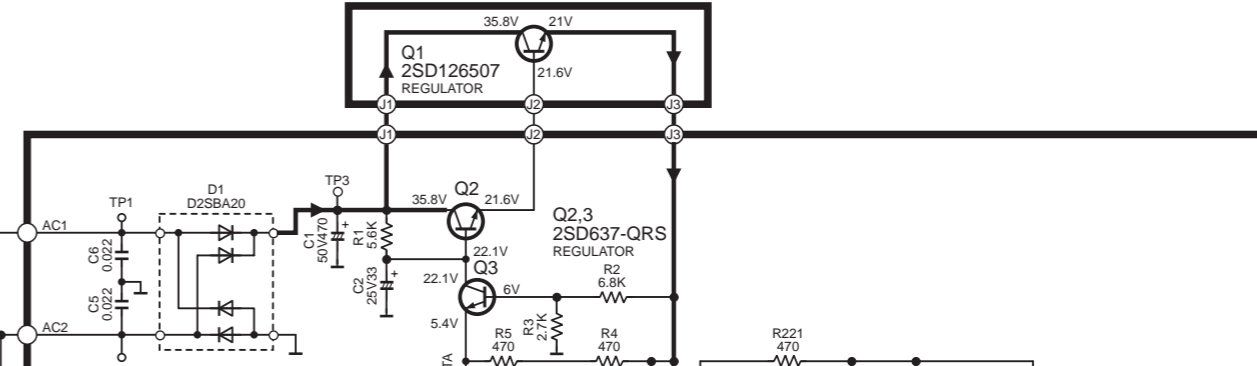
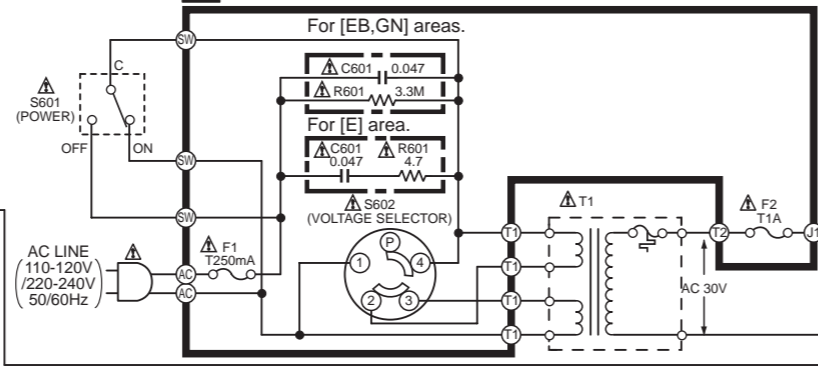
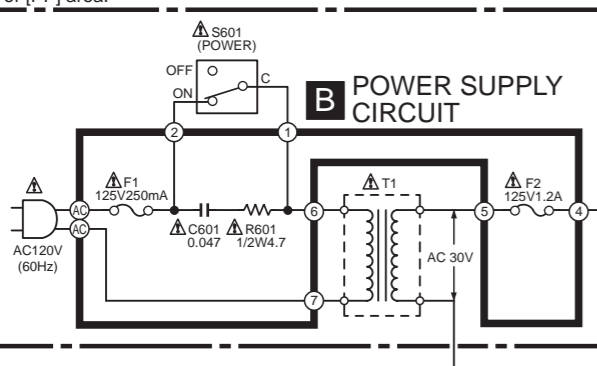
B POWER SUPPLY CIRCUIT

C REGULATOR CIRCUIT

A DRIVE CONTROL CIRCUIT

For [EB,GN] areas.

For [E] area.



H PITCH RESET SWITCH CIRCUIT **F** PITCH CONTROL CIRCUIT **E** SPEED SELECTOR CIRCUIT **D** STROBE ILLUMINATOR CIRCUIT **G** STYLUS ILLUMINATOR SWITCH CIRCUIT **I** OUTPUT CIRCUIT

SL-1200MK5/1210MK5(E,EB,GN,PP) DRIVE CONTROL, POWER SUPPLY, REGULATOR, PITCH RESET SWITCH, PITCH CONTROL, SPEED SELECTOR, STROBE ILLUMINATOR, STYLUS ILLUMINATOR SWITCH, OUTPUT CIRCUIT