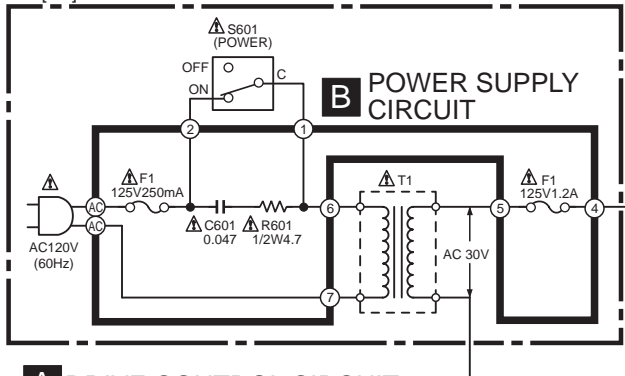
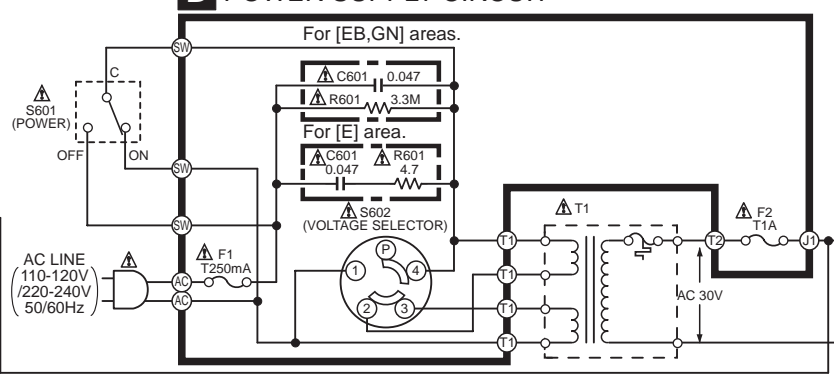


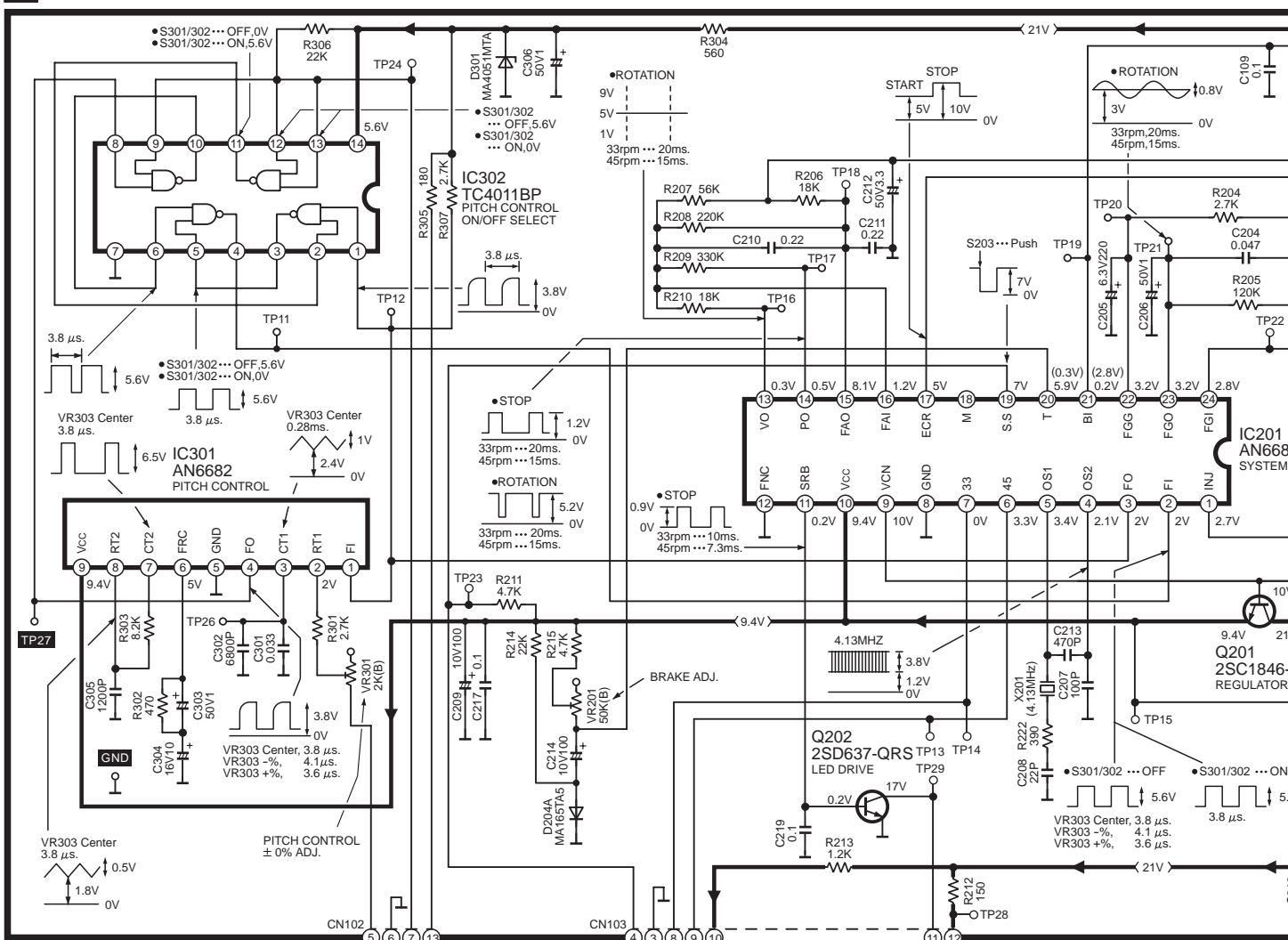
For [PP] area.



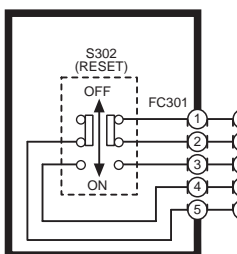
### B POWER SUPPLY CIRCUIT



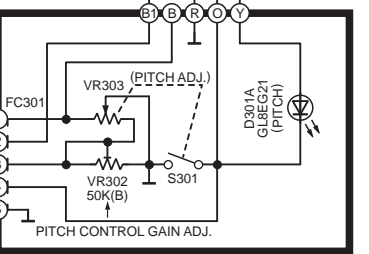
### A DRIVE CONTROL CIRCUIT



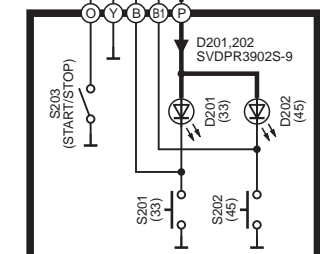
### H PITCH RESET SWITCH CIRCUIT



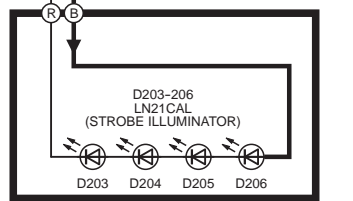
### F PITCH CONTROL CIRCUIT



### E SPEED SELECTOR CIRCUIT



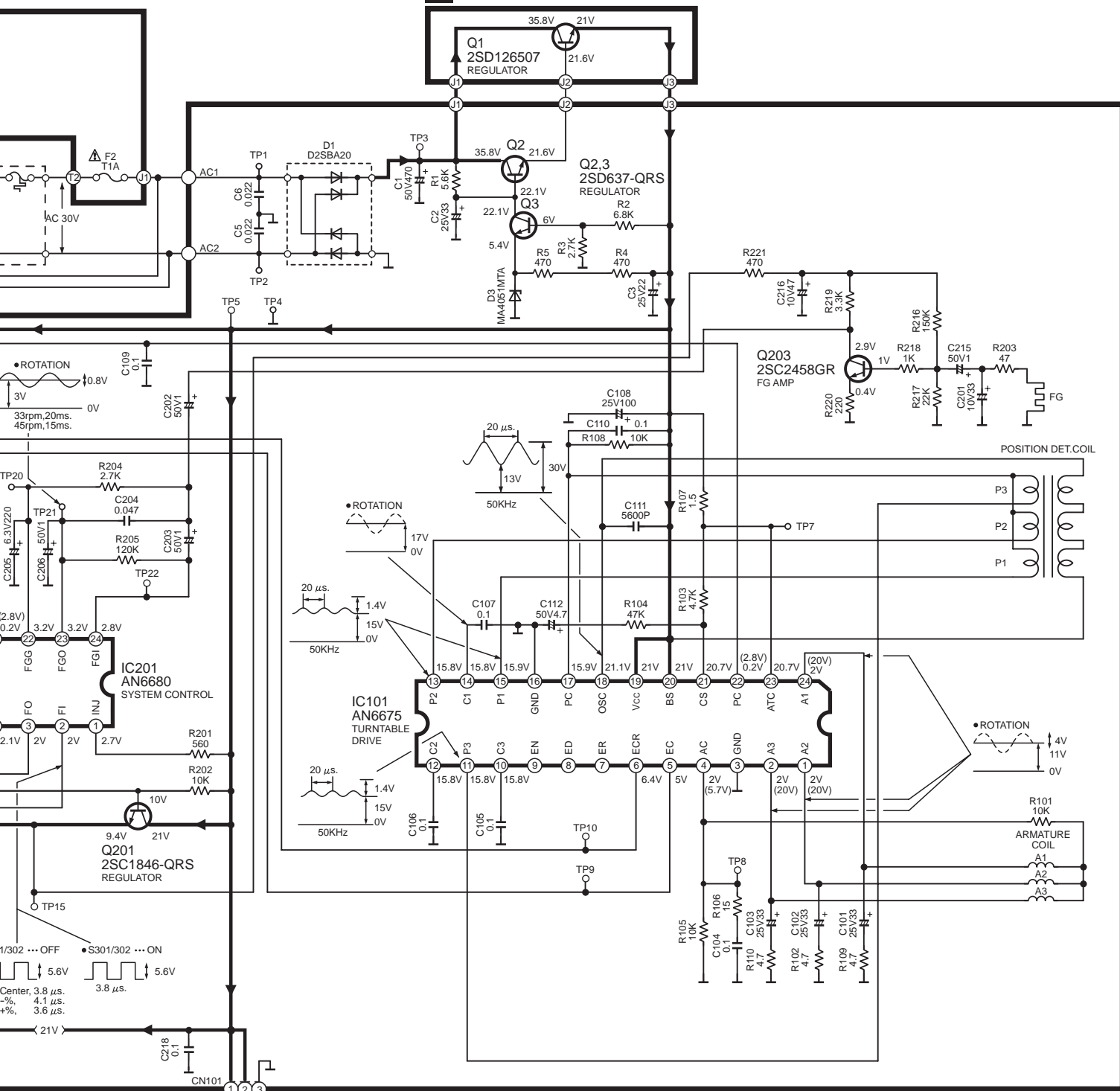
### D STROBE ILLUMINATOR CIRCUIT



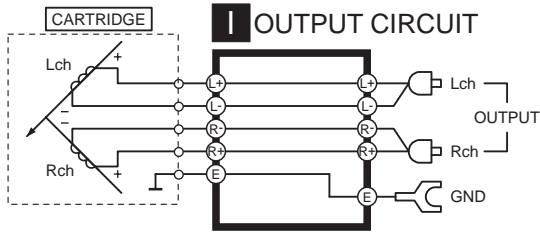
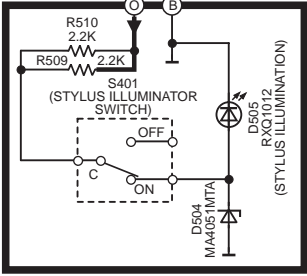
### G S...



### C REGULATOR CIRCUIT



### G STYLUS ILLUMINATOR SWITCH CIRCUIT



SL-1200MK5/1210MK5(E,EB,GN,PP) DRIVE CONTROL, POWER SUPPLY, REGULATOR, PITCH RESET SWITCH, PITCH CONTROL, SPEED SELECTOR, STROBE ILLUMINATOR, STYLUS ILLUMINATOR SWITCH, OUTPUT CIRCUIT